

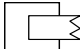
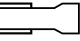
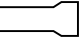
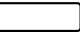


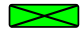


-  Black drapes
-  Alpha Profile 800ST
-  Showtec Expression 6000 Q4
-  Source4 Lustr 2 LED
-  Source4 Zoom Profile
-  Source4 Junior Zoom Profile
-  ETC Desire D60
-  Projector
-  Non-Maintained Emg. Light

Lanterns indicated in red may not be refocused

PARADISE GREEN	
Title	A1 Lighting Plan
Revisions	G - HTH Power 2017 F - 2017 Revision E - 2016 Revision
Created	TJL 03/11/2013
Checked	JP 19/07/2017

DMX

1 metre